

Throttle Body

P/N 30.41.050-D-HT, P/N 30.41.055-D-HT

Variations

- Standard diameters D of the throttle (*see drawing*) 42 mm (1.65")
- Possible diameters of the throttle 41 mm (1.61") to 42 mm (1.65")

Dimensions

- Length/width of mounting flange 86.7 mm (3.41")
- Hole spacing on the mounting flange 57 mm (2.24")
- Height of mounting flange 40 mm (1.57")

Gasket (P/N 30.41.050-D-HT only)

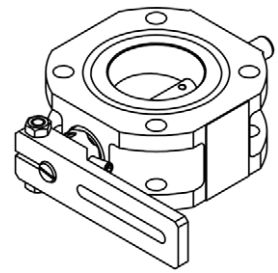
- Type O-ring
- Inside diameter 56.75 mm (2.23")
- Cross section 3.53 mm (0.14")

Weight

- P/N 30.41.050-42-HT, P/N 30.41.055-42-HT 0.5 kg (1.1 lbs)
- P/N 30.41.055-44-HT 0.5 kg (1.1 lbs)

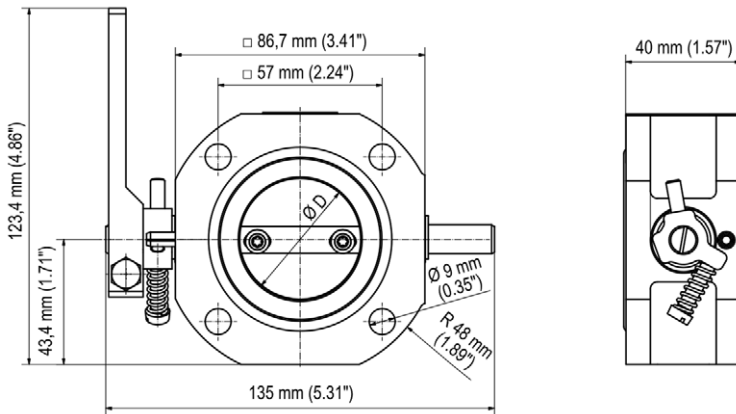
Mechanical Data

- Maximum rotation angle of the throttle 80°
- Chemical resistance Water, oil, gaseous fuels
- Absolute pressure 4.5 bar (65 psi)
- Maximum temperature of media flowing through +200 °C (+392 °F)



Overview Drawings

P/N 30.41.050-D-HT



P/N 30.41.055-D-HT

