

Throttle Body

P/N 30.41.200-D-HT, P/N 30.41.205-D-HT

Variations

- Standard diameters D of the throttle (*see drawing*) 100 mm (3.94"), 105 mm (4.13"), 110 mm (4.33"), 115 mm (4.53"), 120 mm (4.72"), 125 mm (4.92")
- Possible diameters of the throttle 98 mm (3.86") to 125 mm (4.92")

Dimensions

- Length/width of mounting flange 179 mm (7.05")
- Hole spacing on the mounting flange 126 mm (4.96")
- Height of mounting flange 110 mm (4.33")

Gasket (P/N 30.41.200-D-HT only)

- Type O-ring
- Inside diameter 130 mm/148.82 mm (5.12"/5.86") *
- Cross section 5 mm/3.53 mm (0.20"/0.14") *

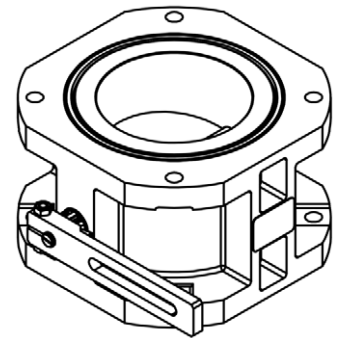
* 148.82 mm x 3.53 mm (5.86" x 0.14") only for P/N 30.41.200-125-HT

Weight

- P/N 30.41.200-100-HT, P/N 30.41.205-100-HT 3.6 kg (7.94 lbs)
- P/N 30.41.200-105-HT, P/N 30.41.205-105-HT 3.4 kg (7.50 lbs)
- P/N 30.41.200-110-HT, P/N 30.41.205-110-HT 3.4 kg (7.50 lbs)
- P/N 30.41.200-115-HT, P/N 30.41.205-115-HT 2.9 kg (6.39 lbs)
- P/N 30.41.200-120-HT, P/N 30.41.205-120-HT 2.9 kg (6.39 lbs)
- P/N 30.41.200-125-HT, P/N 30.41.205-125-HT 2.7 kg (5.95 lbs)

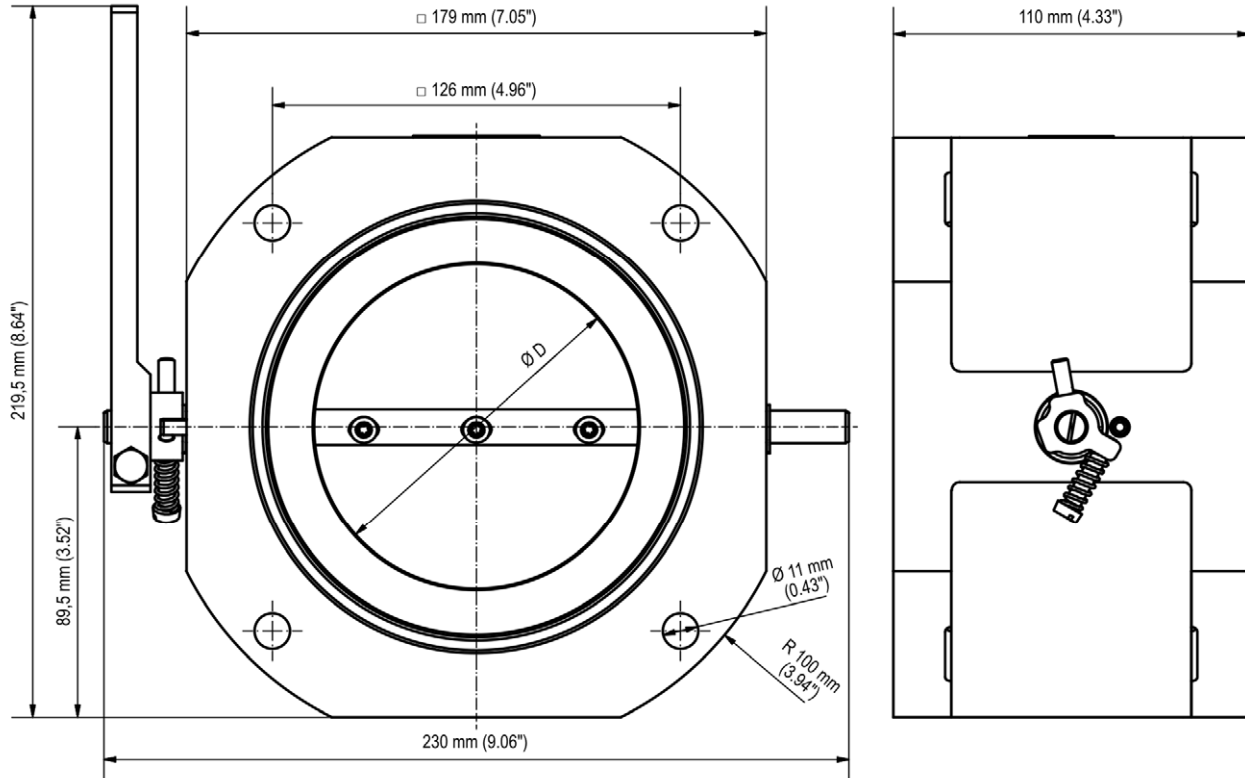
Mechanical Data

- Maximum rotation angle of the throttle 80°
- Chemical resistance Water, oil, gaseous fuels
- Absolute pressure 4.5 bar (65 psi)
- Maximum temperature of media flowing through +200 °C (+392 °F)



Overview Drawings

P/N 30.41.200-D-HT



P/N 30.41.205-D-HT

