

# Throttle Body

P/N 30.41.140-D-HT, P/N 30.41.145-D-HT

## Variations

- Standard diameters D of the throttle (*see drawing*) 75 mm (2.95"), 80 mm (3.15"), 85 mm (3.35")
- Possible diameters of the throttle 73 mm (2.87") to 85 mm (3.35")

## Dimensions

- Length/width of mounting flange 148.7 mm (5.85")
- Hole spacing on the mounting flange 95 mm (3.74")
- Height of mounting flange 76 mm (2.99")

## Gasket (P/N 30.41.140-D-HT only)

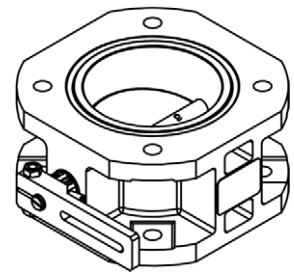
- Type O-ring
- Inside diameter 98.02 mm (3.86")
- Cross section 3.53 mm (0.14")

## Weight

- P/N 30.41.140-75-HT, P/N 30.41.145-75-HT 2.0 kg (4.41 lbs)
- P/N 30.41.140-80-HT, P/N 30.41.145-80-HT 1.9 kg (4.19 lbs)
- P/N 30.41.140-85-HT, P/N 30.41.145-85-HT 1.8 kg (3.97 lbs)

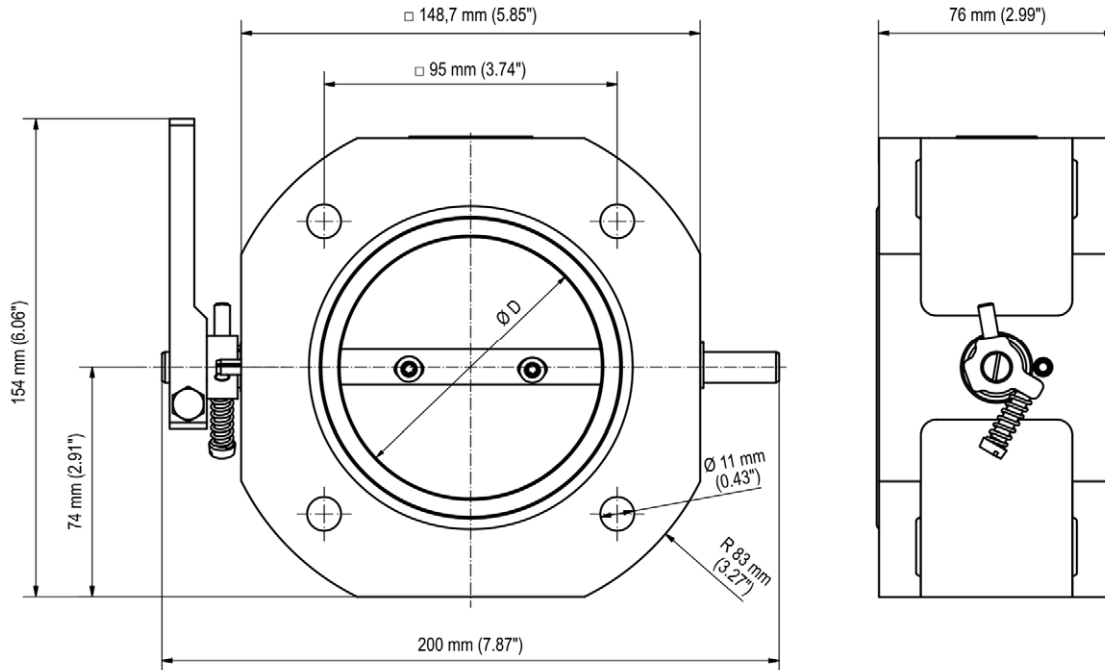
## Mechanical Data

- Maximum rotation angle of the throttle 80°
- Chemical resistance Water, oil, gaseous fuels
- Absolute pressure 4.5 bar (65 psi)
- Maximum temperature of media flowing through +200 °C (+392 °F)



## Overview Drawings

### P/N 30.41.140-D-HT



### P/N 30.41.145-D-HT

